



# TOMRA R2

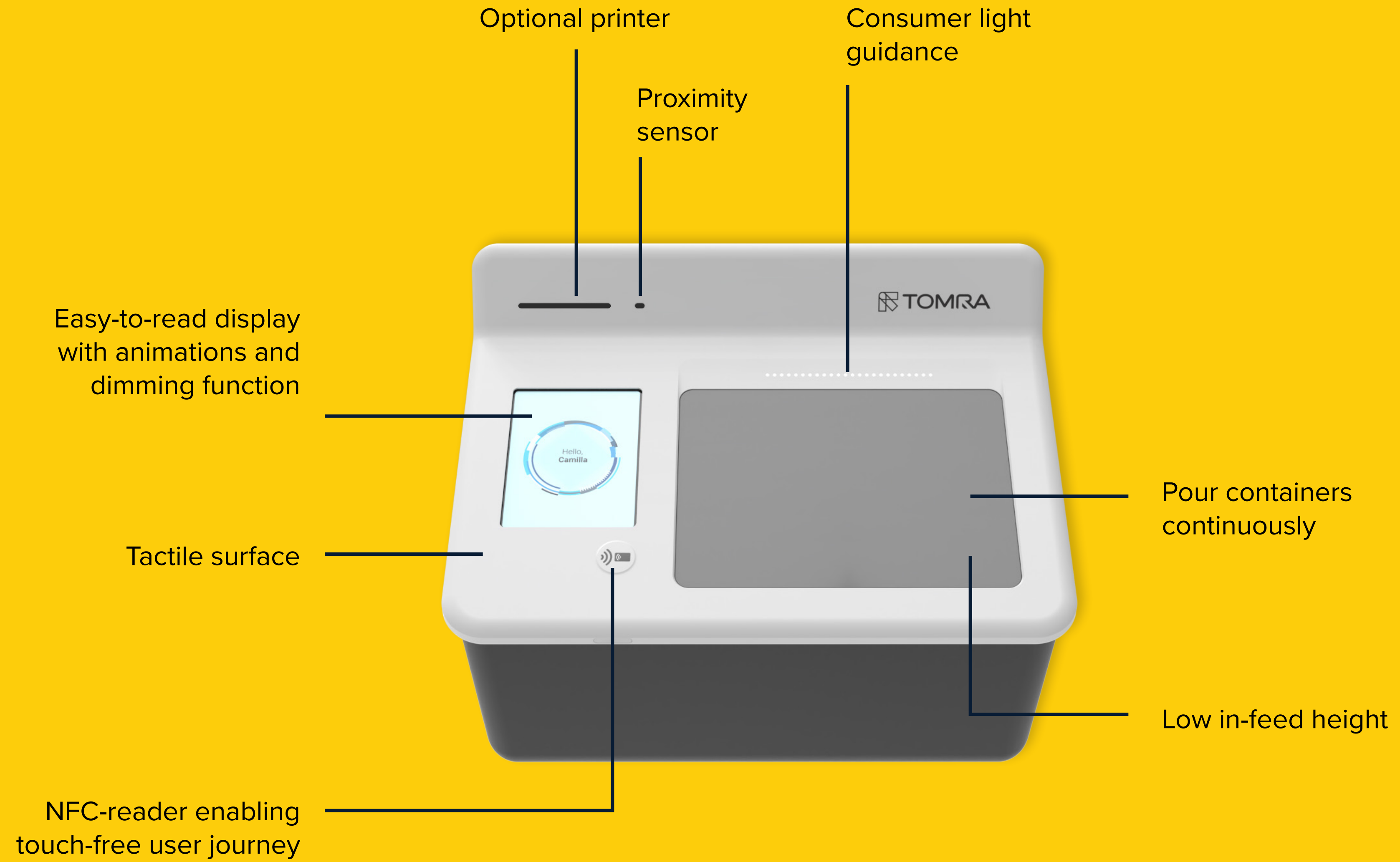


REVOLUTION LINE



## Rethink recycling





## Bring the big benefits of multi-feed container returns to your store

Experience increased visits\* and improved customer satisfaction\* with the new TOMRA R2 multi-feed solution. It's wall-mount format and, compact design requires less space giving you more sales space, and bringing the ultimate recycling experience to even more stores.



## Designed with people in mind

TOMRA R2 was designed with inclusivity in mind. With a lower in-feed and screen, plus illuminated and tactile user guidance, every aspect is crafted to accommodate users of various abilities\*\*, ensuring that your customers can participate in recycling efforts without barriers.



## Grab customers' attention and increase loyalty

The TOMRA R2's friendly and inviting design, engaging user interface, and touch-free operations grab customers' attention. Continuous feed and new and improved drop and go functionality, gets your customers shopping even quicker. A great all-around recycling experience keeps customers coming back\*. Fast, simple, and mess-free.



## Optimize operations with efficiency and ease

Perform tasks undisturbed and save time and effort walking back and forth with access to cleaning, machine maintenance, and troubleshooting, all from the backroom. Plus, pair your TOMRA R2 with TOMRA's digital tools for the most convenient way to stay one step ahead of recycling management.

\* "TOMRA R1 Consumer & Retailer insights", 2021 and "How recycling habits impact shopping behavior", 2023.

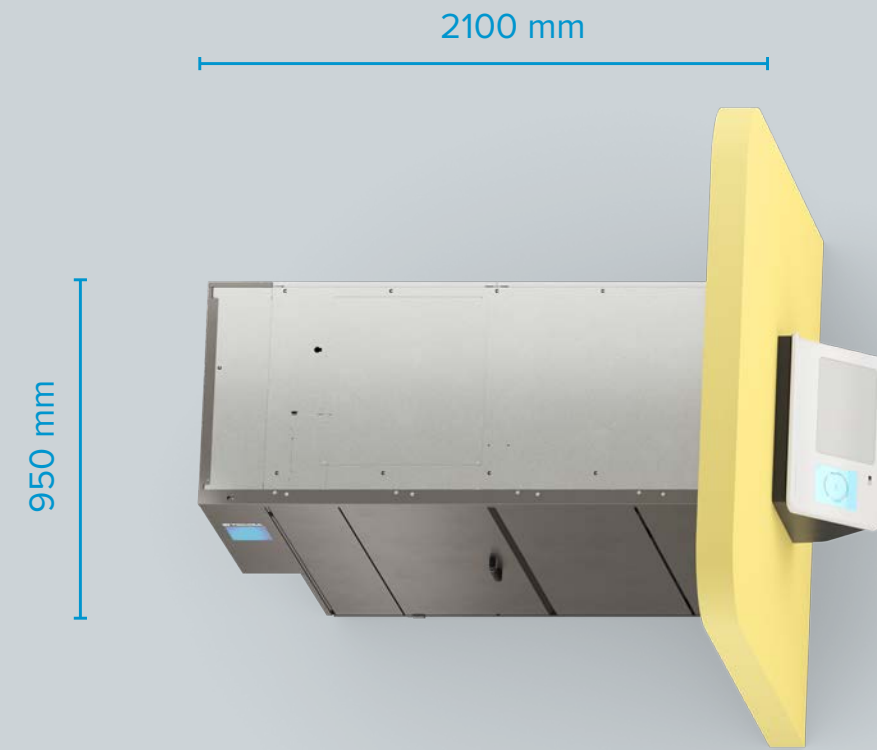
\*\* Usability testing: wheelchair users, visual impairment, individuals with ASD.

## Layout flexibility

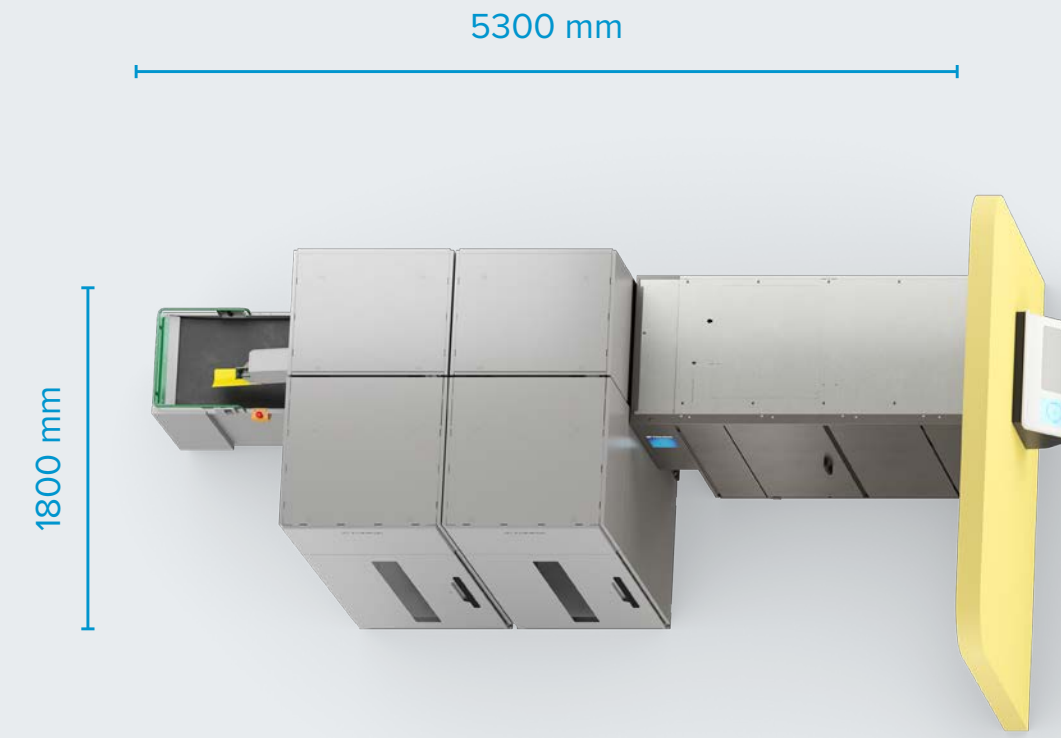
Pair the TOMRA R2 with your existing TOMRA solutions for a smart futureproof investment. Reuse your existing TOMRA backroom solution and end-of-lane configuration kit. Install it side-by-side with your existing TOMRA single-feed solution.

TOMRA R2 system layout options:

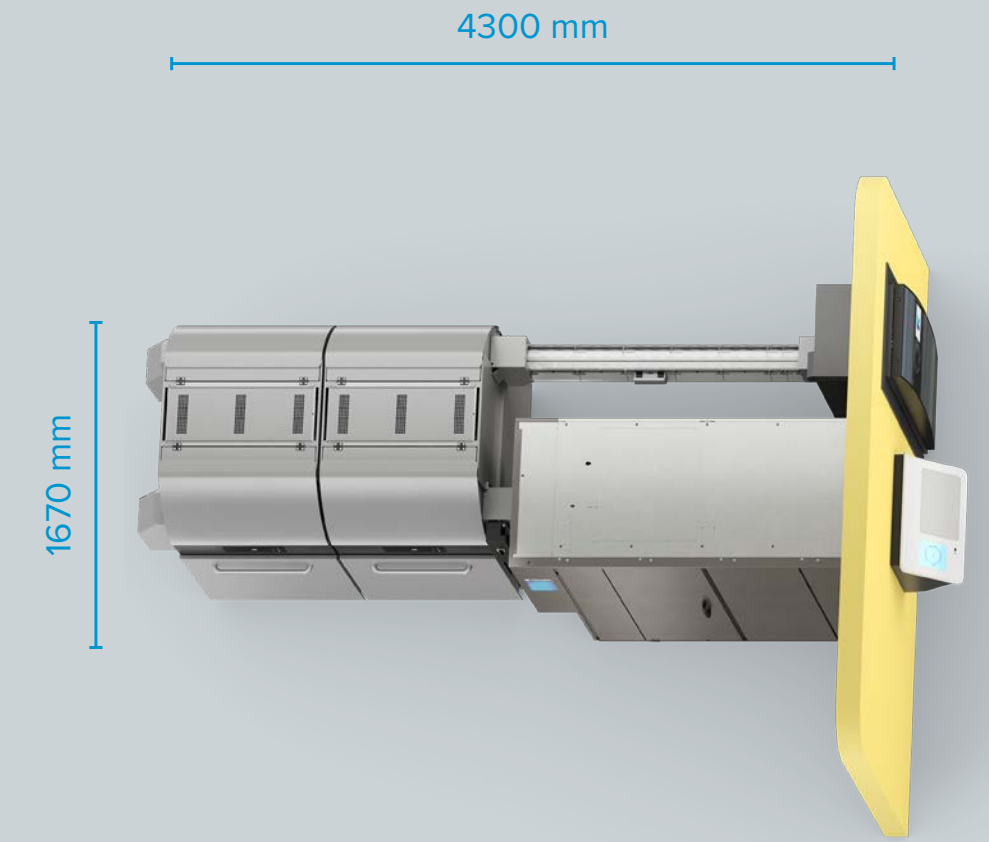
TOMRA R2 main and front unit



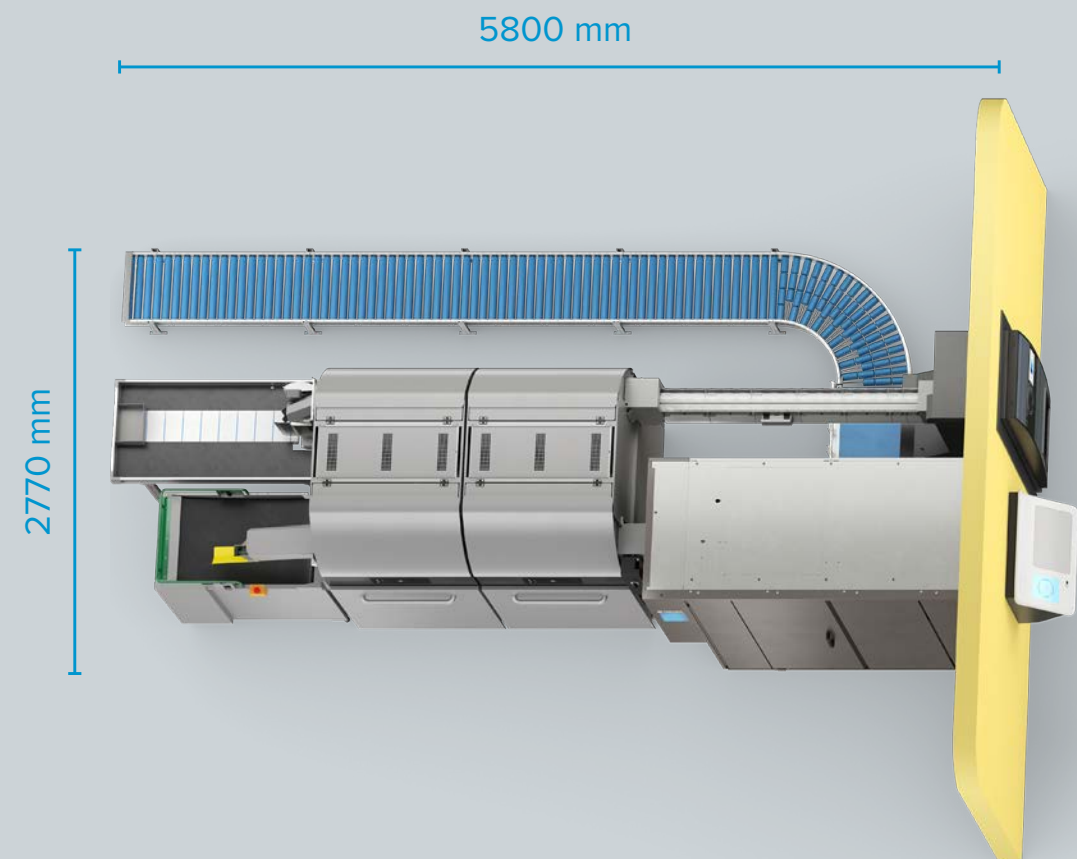
TOMRA R2 with 2x RollPac left-side bin emptying and SoftDrop



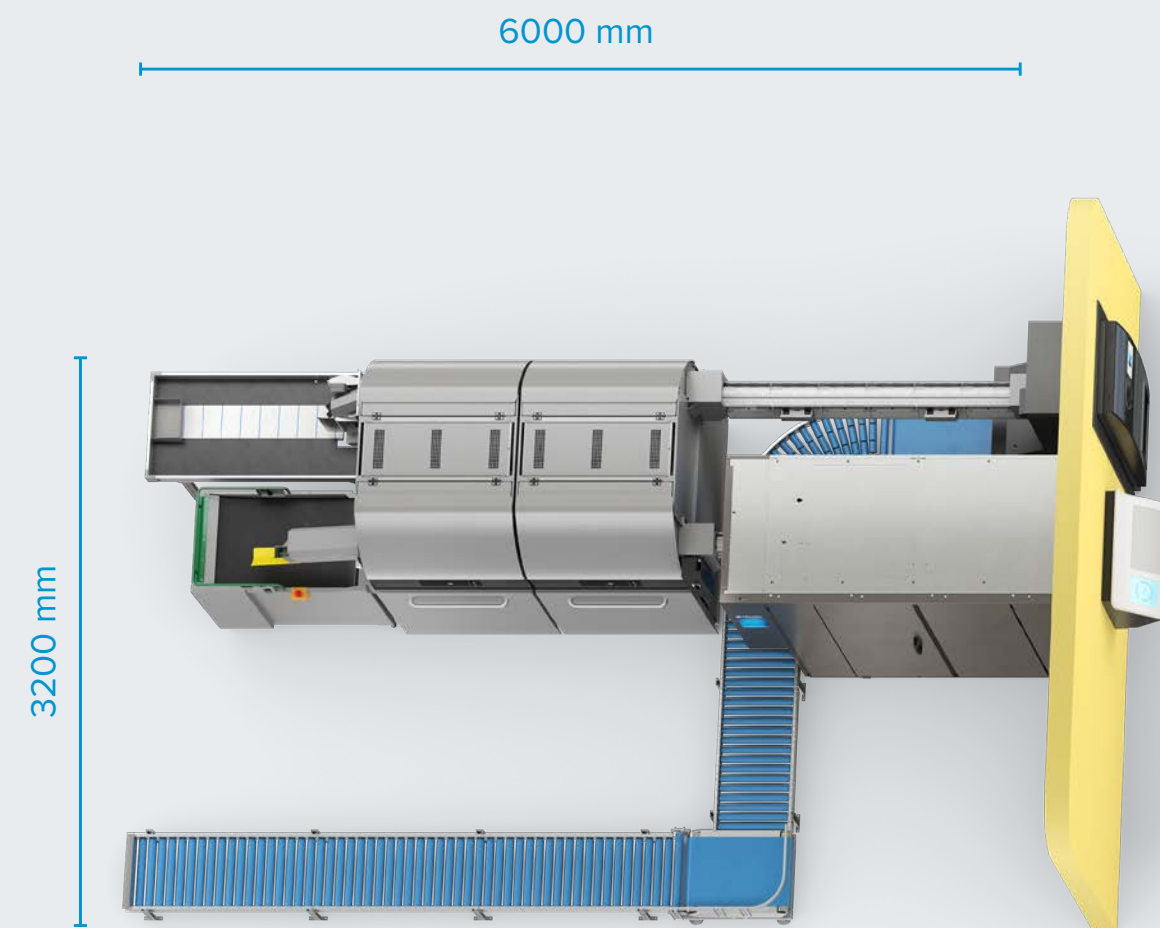
TOMRA R2+T9 with 2x MultiPac left-side bin emptying



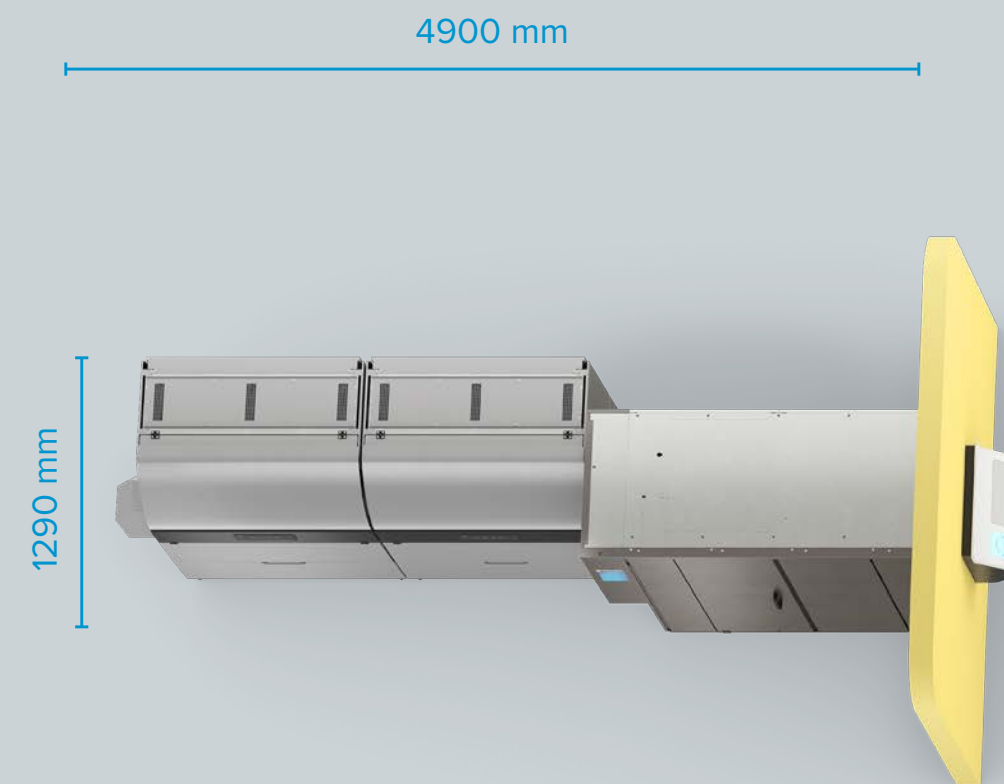
TOMRA R2+T9 with MultiPac, bottle raiser table, crate line and SoftDrop



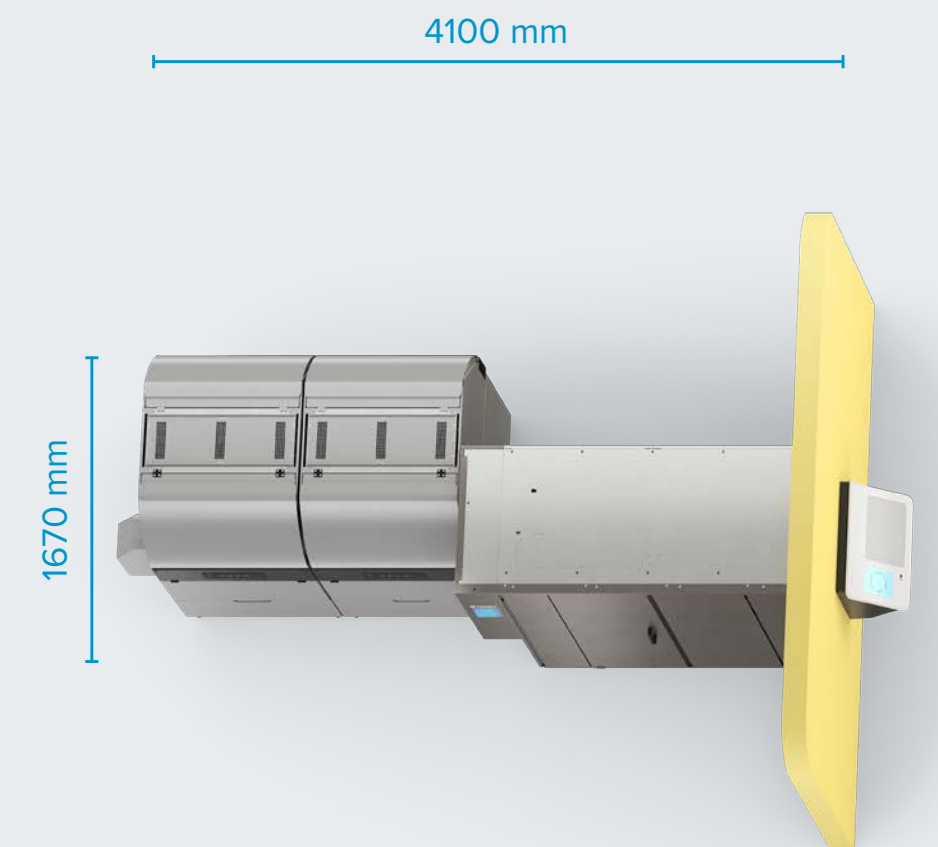
TOMRA R2+T9 with MultiPac, bottle raiser table, crossing crate line and SoftDrop



TOMRA R2 with 2x EasyPac Along cabinets, left-side bin emptying



TOMRA R2 with 2x EasyPac Across cabinets, left-side bin emptying



# TOMRA R2 backroom compatibility

with TOMRA MultiPac



with TOMRA EasyPac Along



with TOMRA EasyPac Across



with TOMRA RollPac



## Retailers help the world recycle

Deposit return systems (DRS) for beverage container recycling help keep valuable resources in a continuous loop of use and reuse. At TOMRA, we call this process Clean Loop Recycling.

As a retailer, you're at the heart of Clean Loop Recycling. You play a critical role at the point where consumers buy and return their containers.

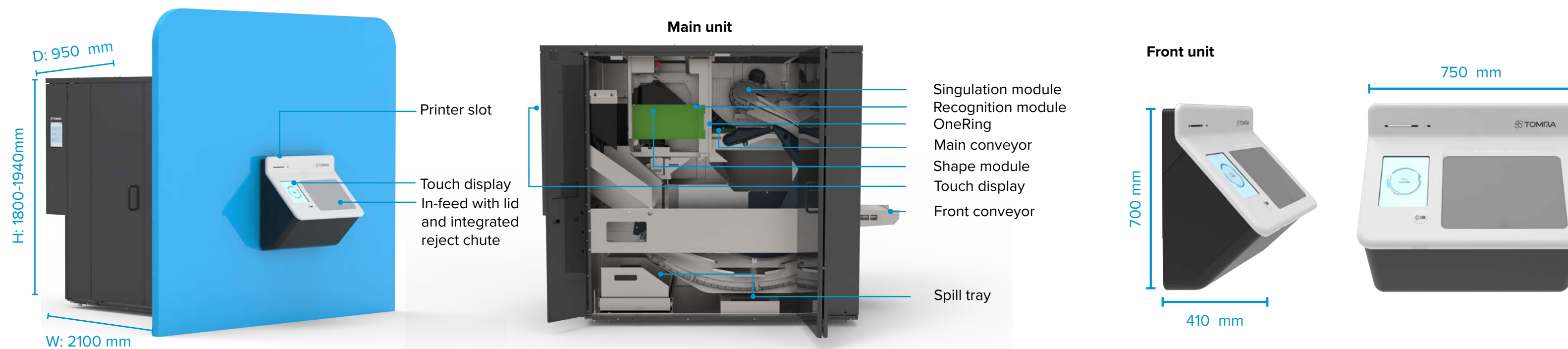


Let's put recycling to work for you

Choosing to partner with TOMRA means creating a **great recycling experience for your customers**, making a **smart investment for your store**, and choosing a solution that brings **peace of mind and excellent support for your operations**.

# TOMRA R2

Rethink recycling



TOMRA R2/ENG/04.2024

## MEASUREMENTS

<b>Dimensions</b> [W x D x H]	Main unit: 950 mm x 2100 mm x 1800-1940 mm Front unit: 750 mm x 410 mm x 700 mm
<b>In-feed height</b>	855-995 mm
<b>Adjustment range for height</b>	140 mm
<b>Footprint</b>	2.00 sqm main unit (behind the wall)
<b>Weight</b>	550 kg main unit (behind the wall)

## STANDARD CONFIGURATION

<b>Machine type</b>	Wall-mounted consumer facing reverse vending machine
<b>Colors</b>	Dark grey
<b>User interface</b>	<b>Consumer-facing display:</b> 10.4" touch display, video and sound capabilities, user guidance on machine screen <b>Operator display:</b> 10.4" touch display, video and sound capabilities, user guidance on machine screen <b>Printer:</b> Thermal printer
<b>Optional configurations</b>	Loyalty reader
<b>Compatible backroom products</b>	TOMRA MultiPac, EasyPac 1, EasyPac 2, RollPac and end-of-lane configuration kits

## RECOGNITION

<b>Recognition technology</b>	TOMRA Flow Technology™ (360° instant recognition, shape recognition, full container detection, barcode recognition, and metal detection)
<b>Accepted containers</b>	Non-refillable and refillable plastic bottles and cans
<b>Speed capability<sup>1</sup></b>	Up to 100 containers per minute
<b>Container sizes</b>	Bottle size: Diameter 50-130 mm, height 85-380 mm Can size: Diameter 50-100 mm, height 80-200 mm
<b>Optional features</b>	Security mark recognition (market specific)

## ENVIRONMENTAL

<b>Humidity</b>	Maximum 90% relative humidity, non-condensing
<b>Temperature</b>	+10°C to +40°C / +50°F to 104°F The machine has been designed for indoor use
<b>Noise</b>	Noise Equivalent Continuous Sound Pressure:
<b>Front unit (in store)</b>	<b>Mix:</b> 67.8 dBA, <b>PET:</b> 64.7 dBA, <b>Can:</b> 70.8 dBA
<b>Main unit (behind wall)</b>	<b>Mix:</b> 83.4 dBA, <b>PET:</b> 78.1 dBA, <b>Can:</b> 87.5 dBA

## STORAGE CAPACITY

<b>Accepted containers</b>	Up to 2 types of containers: Cans, plastic bottles
<b>Storage capacity per bin<sup>2</sup></b>	<b>PET bottles (compacted):</b> Up to 1500 (TOMRA MultiPac and TOMRA EasyPac) and up to 2200 (TOMRA RollPac) <b>Cans (compacted):</b> Up to 6000 (TOMRA MultiPac and TOMRA EasyPac) and up to 8000 (TOMRA RollPac) <b>50/50 mixed PET bottles/cans (compacted using mix crusher):</b> Up to 2000 (TOMRA MultiPac and TOMRA EasyPac) and up to 3000 (TOMRA RollPac)

## ELECTRICAL

<b>Power consumption</b>	Idle: 70 W, Max.: 750 W
<b>Mains</b>	TOMRA R2 backroom system 400 V AC 3-phase w/ground, 50 Hz

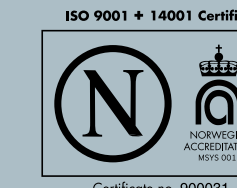
## CONNECTIVITY

<b>External IT interface</b>	LAN (Ethernet TCP/IP), POS compatible
<b>Digital tools</b>	Fully compatible with TOMRA's portfolio of digital products and APIs

- 1 Performance data and system speed may vary across markets, deposit regulations, system requirements and type of backroom cabinet.
- 2 May vary in different countries due to variations in beverage container materials, shapes and sizes.



Get in the Loop at [tomra.com/reverse-vending](https://tomra.com/reverse-vending)



**TOMRA CERTIFICATION**  
TOMRA SYSTEMS ASA has implemented and maintains a Quality and Environmental Management System which fulfils Nemko's provisions for Management System Certification and the requirements of standards NS-EN ISO 9001:2015 and NS-EN ISO 14001:2015, with the scope described by the organization on 2018-05-29. The certification covers the development and delivery of automated systems for recycling.



**LEGAL COMPLIANCE**  
This product is a configurable system of machine components. When assembled on installation site, tested and connected to the grid, the installation must be labelled and have the CE mark affixed. The CE marking is based on the following European Directives:  
2006/42/EU, Community Legislation on Machinery.  
2014/30/EU, Electromagnetic Compatibility (EMC).  
2011/65/EU, Restrictions of Hazardous Substance (RoHS).  
2012/19/EU, Waste Electrical and Electronic Equipment (WEEE).

We reserve the right to make changes to specifications without prior notice. While every effort has been made to ensure all information contained in this document is accurate, TOMRA assumes no liability for any errors, inaccuracies or omissions that may occur. All products and offers are subject to country availability. Please consider the environment before printing.

## TOMRA Collection

TOMRA Collection is part of the TOMRA Group, which is Leading the Resource Revolution by transforming how we obtain, use, and reuse our world's resources.

With over 85,000 installations across more than 60 markets, retailers and consumers around the world rely on our reverse vending machines to collect more than 46 billion used bottles and cans each year, which can be recycled into new containers.

Clean Loop Recycling is the easy and rewarding way to make choices that make change.

Get in the Loop at  
[tomra.com/reverse-vending](https://tomra.com/reverse-vending)

